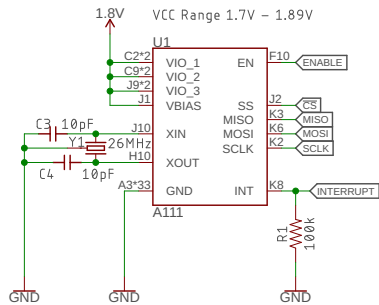
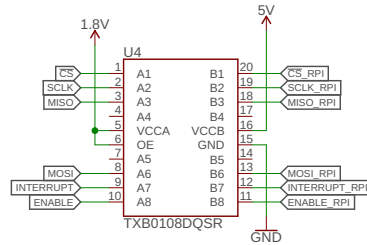


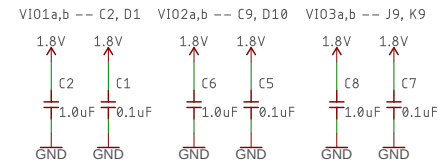
Pulsed Radar – A111



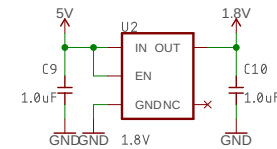
Logic Level Translator



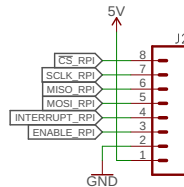
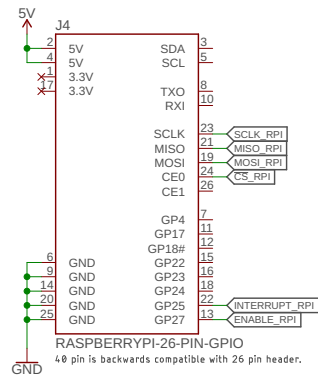
Decoupling Capacitors



Voltage Regulator



Raspberry Pi and 8-Pin Header



Jim Lindblom
 Revised By: Elias Santistevan
 Modified By: Switch Science, Inc.

v10

Switch Science, Inc.
 A111_Pulsed_Radar_Breakout
 2020/05/20 11:59
 Sheet: 1/1