

Membrane Force & Position Sensor


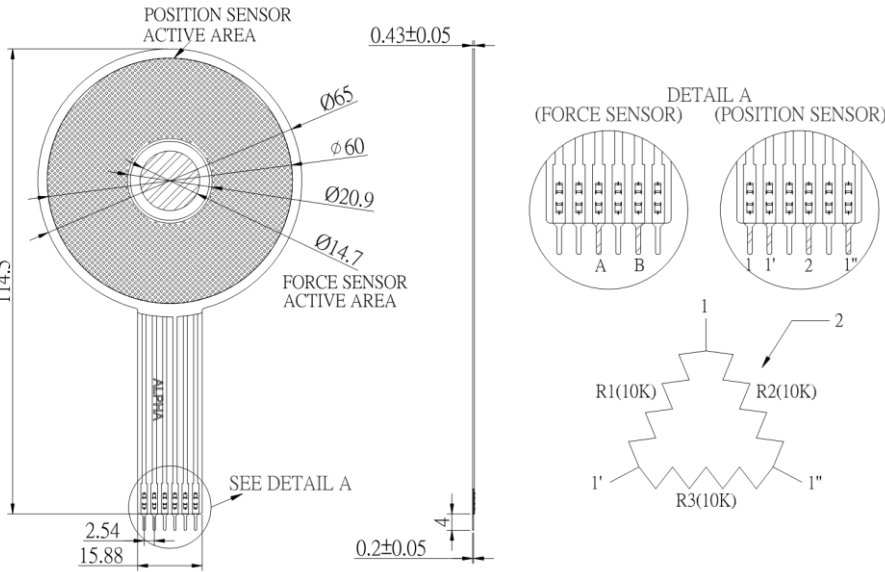


Application

- ✓ Fitness, Medical, Industrial and many others.

Feature

- ✓ Ultra-thin, Flexible and sealed properties, Velocity-sensitive.
- ✓ Rotary Position Sensor with center Force detection function.

Order Code	Outline Drawing
MVB060-B□□K-261-A01 	 <p>POSITION SENSOR ACTIVE AREA</p> <p>FORCE SENSOR ACTIVE AREA</p> <p>DETAIL A (FORCE SENSOR) (POSITION SENSOR)</p> <p>R1(10K) R2(10K) R3(10K)</p>

SPECIFICATION

MODEL		MVB060-B□□K-261-A01
FORCE SENSOR	FORCE SENSITIVITY RANGE	30g ~ 1000g (0.3N ~ 9.8N)
	ACTIVE AREA	14.7mm diameter
	FORCE RESOLUTION	Continuous(Analog)
	STAND-OFF RESISTANCE (UNLOADED)	>20MΩ
POSITION SENSOR	LINEARITY, INDEPENDENT	±3%
	RESISTANCE TOLERANCE	±20%
	ACTIVE ANGLE	360 degrees
OPERATING TEMPERATURE		-20°C to +70°C
IP RATING		IP65
RESPONSE TIME		<1ms
LIFE CYCLE		>0.5 Million
POWER RATING		1 Watt max. @25°C
HUMIDITY		No affect @ 95% RH, 4hrs<50°C

Design and specifications presented here are for the standard parts only. Please kindly contact us for your special requests and ask for the current technical specifications before purchase and/or use.